

In-Stock Standard Close-on-Rise 1/2" Snap Disc Thermostats

Comstat has a large selection of in stock thermostats for both open and close on rise application. The list below is our standard product line that reaches across a large temperature range to meet many new OEM application needs. We provide expert knowledge of engineered thermal sensing and load switching products. If the attached specifications, mounting method and terminal options do not meet your needs, please contact us as we likely have other options available on the shelf. If not, you can try out our Thermostat Design Configurator and get a quote on a product engineered to your specific requirements.

Close on RISE				
Standard Stock Precision Thermostats				
Model Type	Close on RISE Temperature in °C	Open Temperature in °C	Close Temperature in °F	Open Temperature in °F
TK24-35-A2	35 +/-3	22 +/-5	95 +/-5	72 +/-5
TK24-43-A2	43 +/-3	35 +/-5	110 +/-5	95 +/-5
TK24-54-A2	54 +/-3	38 +/-5	130 +/-5	100 +/-5
TK24-66-A2	66 +/-3	49 +/-5	150 +/-5	120 +/-5
TK24-77-A2	77 +/-3	60 +/-5	170 +/-5	140 +/-5
TK24-88-A2	88 +/-3	75 +/-5	190 +/-5	167 +/-5
TK24-99-A2	99 +/-3	82 +/-5	210 +/-5	180 +/-5

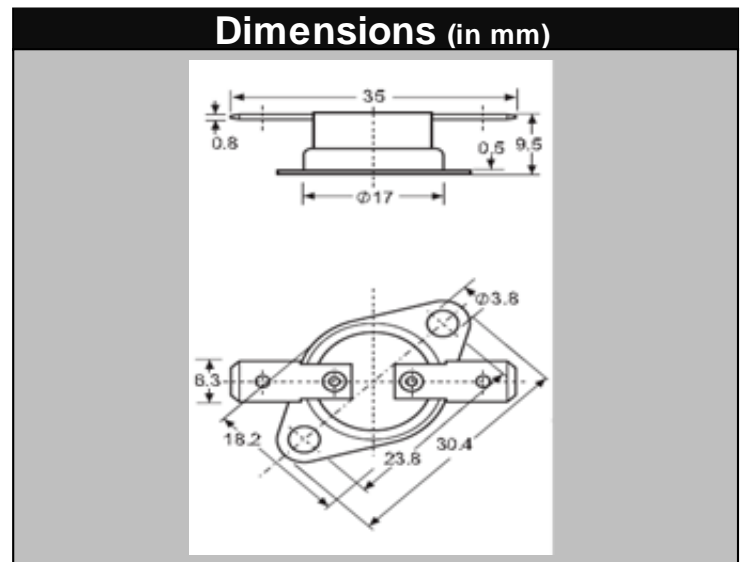
We have a wide variety of configurations so we can provide exactly what you need!



General Technical Data

Operation Close on Rise
 Electrical 10 Amps @ 250 VAC
 15 Amps @ 125 VAC
 Contact Resistance <0.05 ohms
 Life Cycles Min.100,000 (@10 amps)
 Min 30,000 (@15 amps)
 Response time 3ms
 Operating Temp. ----_ As Specified Up to 425 °C
 Dielectric Strength 1500 V
 Heating Speed, K/min Min. 0.1; max 1.0
 Certifications ROHS Certified UL and VDE

Dimensions (in mm)



Wide Range of Products

We carry many hermetic and non-hermetic devices for use in aircraft, radar equipment, medical diagnostic equipment, telecommunications and electronic control systems as well as commercial grade thermostats for use in a wide array of appliances, automotive applications, office machines, heat and smoke detectors and HVAC equipment.

Also available are custom-packaged thermostats for application flexibility and industrial grade thermostats designed to operate in extreme environmental conditions.

Snap-action thermostats include automatic or manual reset options, phenolic or ceramic housings, and a variety of mounting brackets and terminal options